

PORKKA

MEDI LINE MC, M1, M2

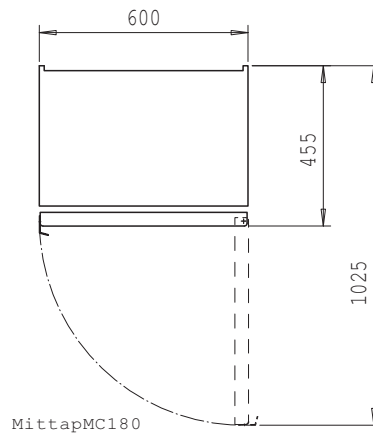
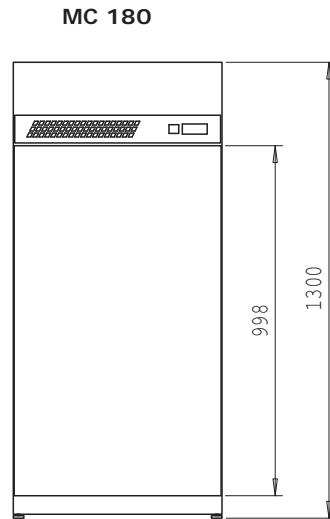
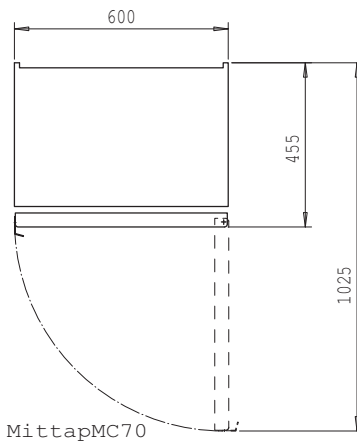
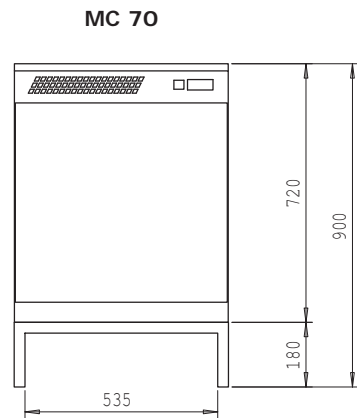


Technical data
2010-11 B

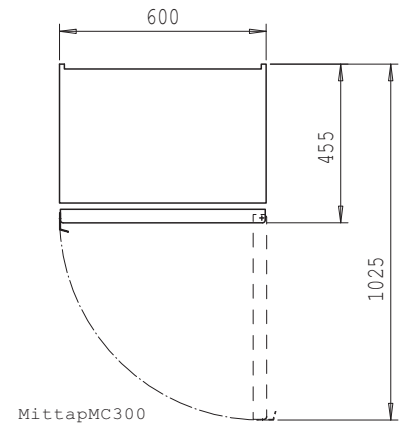
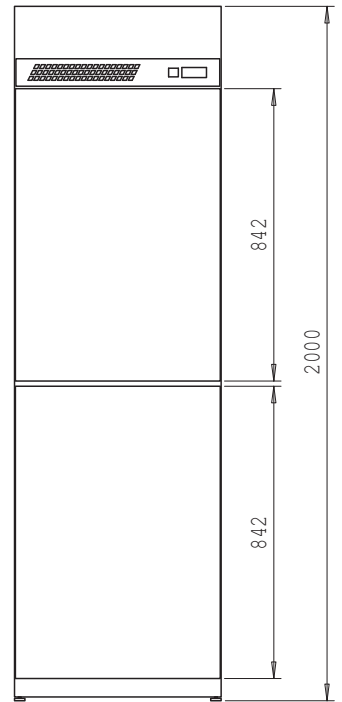
Technical data MC 70, MC 180, MC 150/150, MC 300

| | | | MC 70 | MC 180 | MC 150/150 | MC 300 |
|---|---|---------------------------|-----------------------|-----------------------|-----------------------|-----------------------|
| Ext. dimension | width | (mm) | 595 | 595 | 595 | 595 |
| | depth | (mm) (+handle) | 480+25 | 480+25 | 480+25 | 480+25 |
| | height | (mm) (wall installation*) | 720 | - | - | - |
| | height | (mm) (free-standing) | 900 | 1300 | 2000 | 2000 |
| Int. dimension | width | (mm) | 495 | 495 | 495 | 495 |
| | depth | (mm) | 360 | 360 | 360 | 360 |
| | height | (mm) | 495 | 940 | 780+780 | 780+780 |
| Volume net | | (l) | 75 | 130 | 110+110 | 110+110 |
| Volume gross | | (l) | 95 | 170 | 143+143 | 110+110 |
| Weight | | (kg) | 55 | 70 | 150 | 120 |
| Shelves | width | (mm) | 490 | 490 | 490 | 490 |
| | depth | (mm) | 160 | 160 | 160 | 160 |
| Door shelves | width | (mm) | | 490 | 490 | 490 |
| | depth | (mm) | | 120 | 120 | 120 |
| Amb. Temperature | | (°C) | +5...+32 | +5...+32 | +5...+32 | +5...+32 |
| Operating temperature | | (°C) | +2...+15 | +2...+15 | +2...+15 | +2...+15 |
| Connection power | | (W) | 150 | 190 | 380 (190+190) | 190 |
| Cooling effect evaporator/condensor/ambient | | (W) | 108 | 137 | 137+137 | 137 |
| | | | -10°C/ +55°C/+32°C | -10°C/ +55°C/+32°C | -10°C/ +55°C/+32°C | -10°C/ +55°C/+32°C |
| Refrigerant | | | R 134A / 80g | R 134A / 100g | R 134a / 100+100g | R 134A / 100g |
| Fuse (slow) | | (A) | 10 | 10 | 10 | 10 |
| Voltage | | (V) | 230/50 Hz | 230/50 Hz | 230/50 Hz | 230/50 Hz |
| Defrost | | | 3 | 3 | 3 | 3 |
| | | | 1. Air | | | |
| | | | 2. Hotgas | | | |
| | | | 3. Electric | | | |
| Exterior finish | Visible exterior surface: white polyester-coated sheet steel; back wall, top and bottom galvanised sheet steel | | | | | |
| Interior finish | Vacuum formed polystyrene | | | | | |
| Insulation (body) | 40 mm foamed, CFC and HCFC free polyurethane | | | | | |
| Door | Equipped with magnetic gasket and lock, reversible | | | | | |
| Feet | MC180, MC150/150 and MC300 4 psc adjustable 20 mm fingerscrews, MC70 with steel base frame | | | | | |
| Inside | Plastic shelves | | | | | |
| Refrigeration system | Hermetic, air conditioned, with heat exchanger and capillary | | | | | |
| Evaporator | Static evaporator with automatic defrosting | | | | | |
| Standard equipment | Electronic controlled digital thermometer/thermostat/defrost timer with alarm light, (adjustable low and high temperature alarm limits) and an option to external alarm (potential free relais contact),TTL -Mod Bus (RS 485) port for the option to connect to PC, readiness for additional probes | | | | | |
| | Alternatives and accessories, see the price list | | | | | |
| Note ! | All data and volumes are given according to ISO 8561 | | | | | |

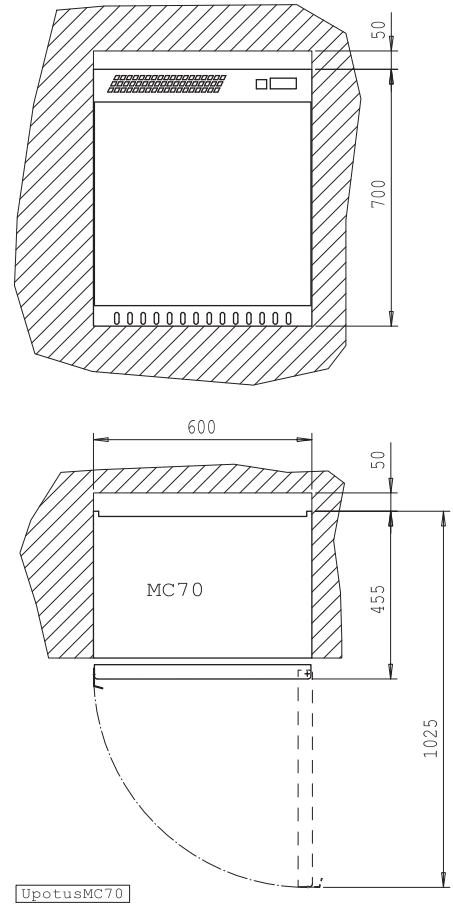
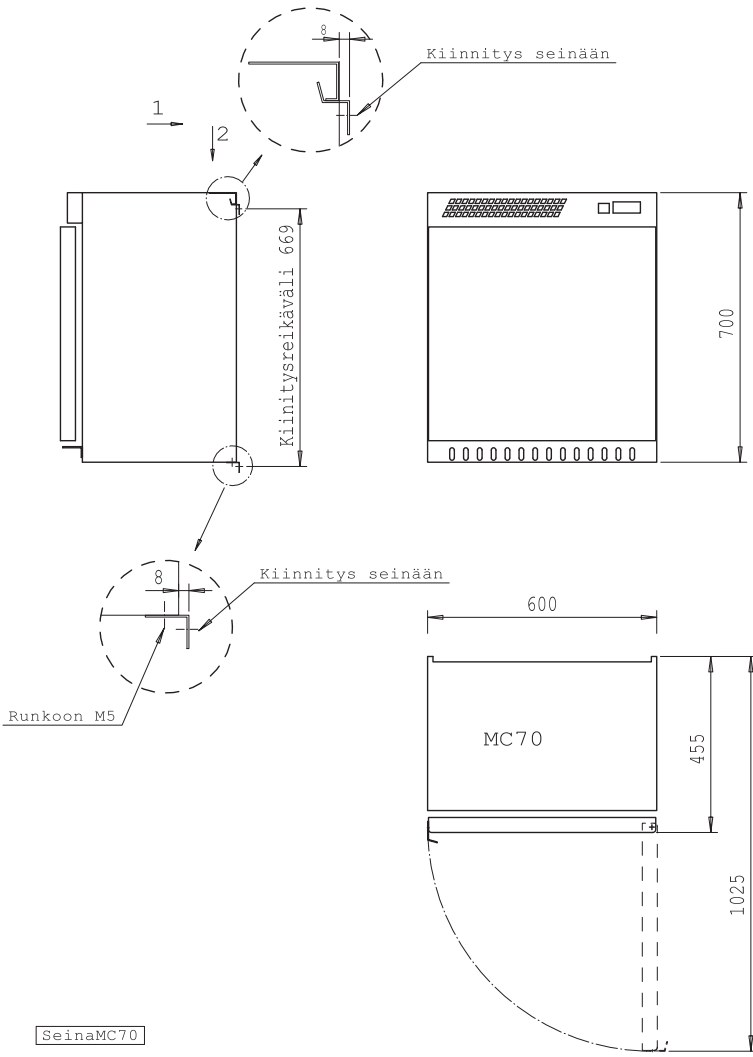
Dimension drawings MC 70, MC 180, MC 150/150, MC 300



MC 300
MC 150/150



Dimension drawings MC 70*



Technical data M1, M2 - AK, M2 - VL

| | | | M1 | M2 - AK | M2 - VL |
|------------------|--------|----------------------------|-----------|-----------|----------------|
| Ext. dimension | width | (mm) | 596 | 596 | 596 |
| | depth | (mm) (+handle) | 425+25 | 425+25 | 425 |
| | height | (mm) (wall installation**) | 1100 | - | - |
| | height | (mm) (free-standing) | - | 2000 | 2000 |
| Int. dimension | width | (mm) | 560 | 560 | 560 |
| | depth | (mm) | 380 | 380 | 380 |
| | height | (mm) | 1040 | 1040+680 | 680 |
| Volume net | | (l) | 199 | 199+135 | 199+135 |
| Volume gross | | (l) | 220 | 220+145 | 220+145 |
| Weight | | (kg) | 45 | 90 | 95 |
| Shelves | width | (mm) | 490 | 490 | 490 |
| | depth | (mm) | 160 | 160 | 160 |
| Drawers | width | (mm) | | | 508 / 508 |
| | depth | (mm) | | | 376 /376 |
| | height | (mm) | | | 148 (x 3) VL 3 |
| | height | (mm) | | | 74 (x 6) VL 6 |
| Door shelves | width | (mm) | 490 | 490 | 490 |
| | depth | (mm) | 120 | 120 | 120 |
| Connection power | | (W) | 25 | 25 | 25 |
| Fuse (slow) | | (A) | 10 | 10 | 10 |
| Voltage | | (V) | 230/50 Hz | 230/50 Hz | 230/50 Hz |

Frame White melamine coated panel

Door and drawer White laminated door and drawers are lockable, reversible door

Feet Steel base frame, 4 pcs of adjustable 20 mm knurled-head screws

Shelves Plastic shelves dimensioned for medicines
Door with lockers with dividers dimensioned for medicines

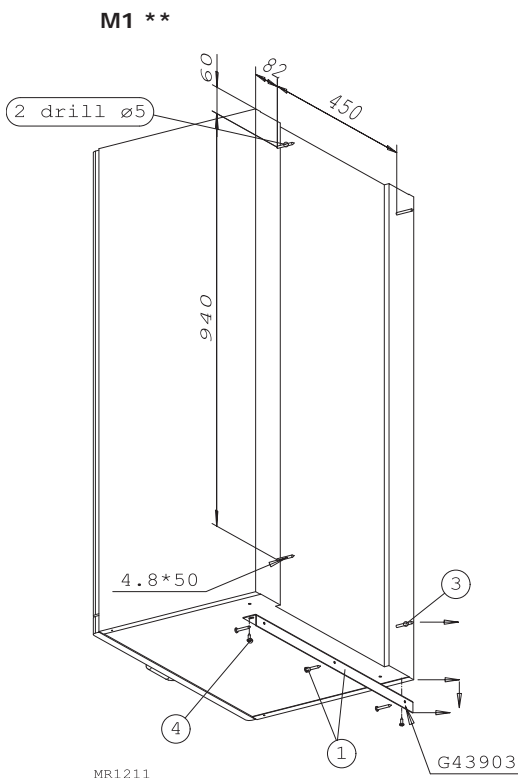
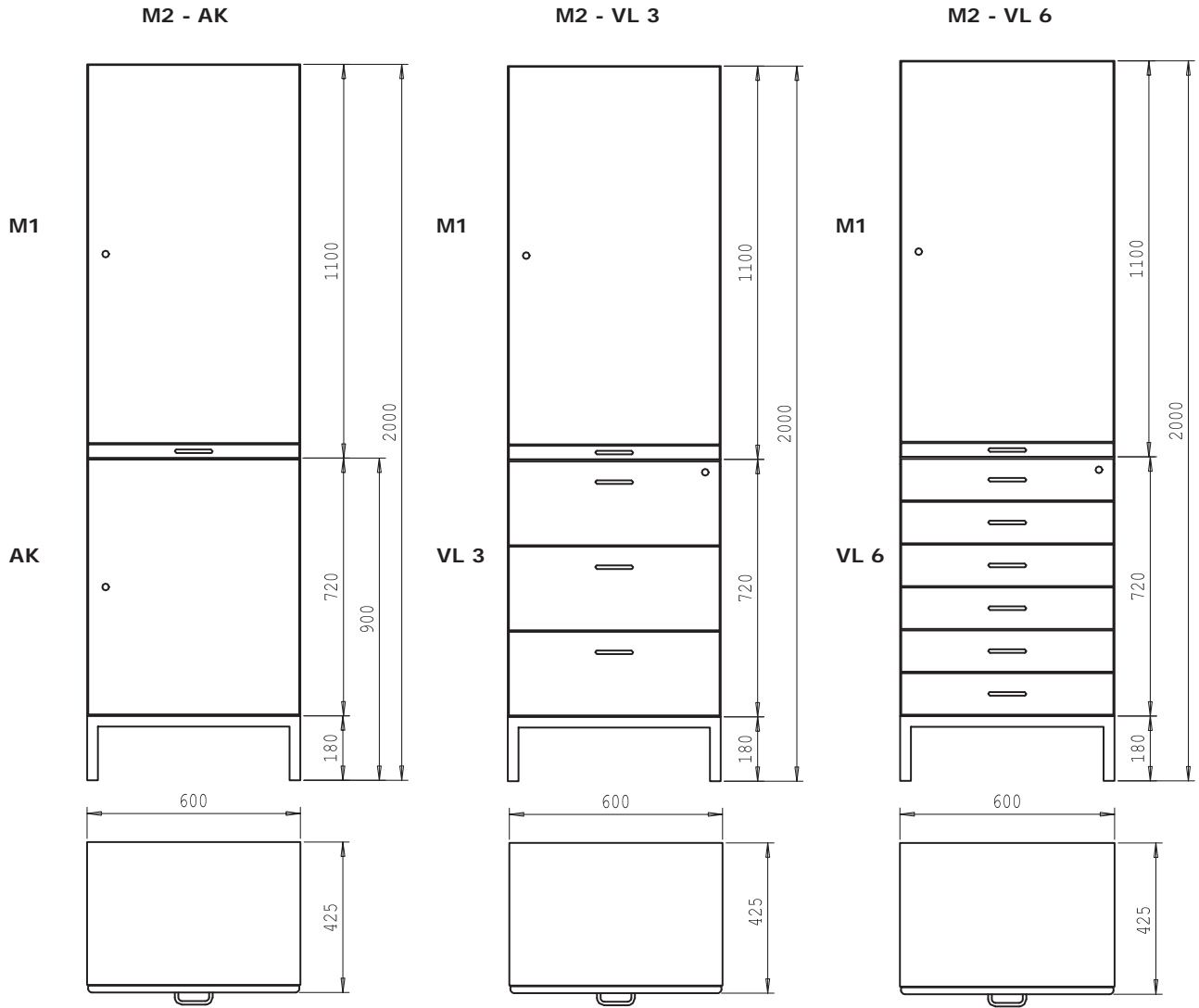
Standard Equipment M1: interior light with door switch, lockable drawer for drugs with different key series than the door
M1 can be united with MC 70 medical refrigerator
M1 bottom cabinet with pull-out dosing plane for medicines

M2: interior light with door switch, lockable drawer for drugs with different key series as for the door
M2 lower compartment can be a drawer VL with central locking with 3 or 6 drawers or under-cupboard AK

Alternatives and accessories, see the price list

Note! Volumes are given according to EN441 standard

Dimension drawings M1, M2 - AK, M2 - VL



MR1211



Technical data M1 + MC 70, MC 70 + VL

| | | | M1 + MC 70 | MC 70 + VL |
|--|--------|--------------------------|-------------------|-------------------|
| Ext. dimension | width | (mm) | 596 | 596 |
| | depth | (mm) (+handle) | 480+25 | 480+25 |
| | height | (mm) (wall installation) | - | - |
| | height | (mm) (free-standing) | 2000 | 1620 |
| Int. dimension | width | (mm) | 560/495 | 560/495 |
| | depth | (mm) | 380/360 | 380/360 |
| | height | (mm) | 1040/495 | 495/680 |
| Volume net | | (l) | 199+75 | 75+135 |
| Volume gross | | (l) | 220+95 | 95+145 |
| Weight | | (kg) | 100 | 105 |
| Shelves | width | (mm) | 490 | 490 |
| | depth | (mm) | 160 | 160 |
| Drawers | width | (mm) | | 508 / 508 |
| | depth | (mm) | | 376 / 376 |
| | height | (mm) | | 148 (x 3) VL 3 |
| | height | (mm) | | 74 (x 6) VL 6 |
| Door shelves | width | (mm) | 490 | |
| | depth | (mm) | 120 | |
| Amb. Temperature | | (°C) | +5...+32 | +5...+32 |
| Operating temperature | | (°C) | +2...+15 | +2...+15 |
| Connection power | | (W) | 150+25 | 150 |
| Cooling effect evaporator/condensor/ambient | | (W) | 108 | 108 |
| | | | -10°C/+55°C/+32°C | -10°C/+55°C/+32°C |
| Refrigerant | | | R 134A / 80g | R 134A / 80g |
| Fuse (slow) | | (A) | 10 | 10 |
| Voltage | | (V) | 230/50 Hz | 230/50 Hz |
| Defrost | | | 3 | 3 |
| 1. Air | | | | |
| 2. Hotgas | | | | |
| 3. Electric | | | | |

Technical data M1 + MC 70, MC 70 + VL

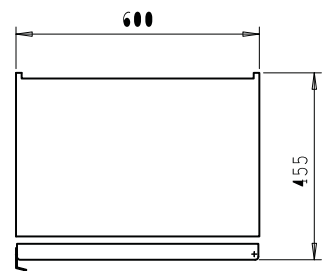
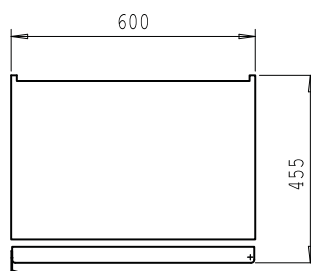
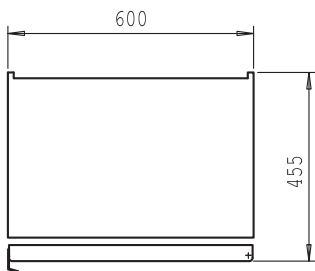
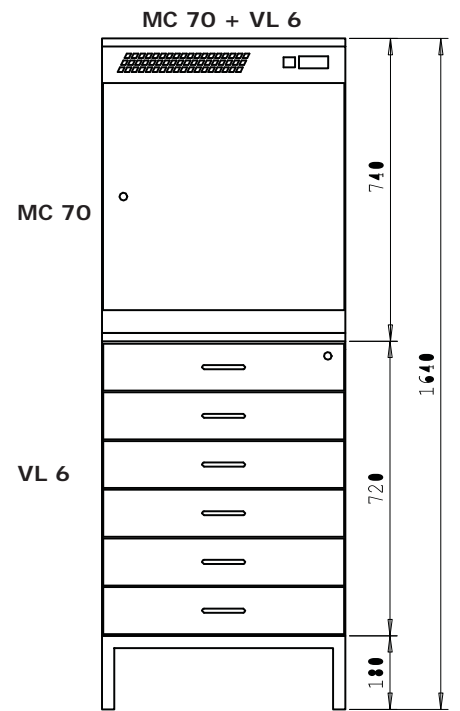
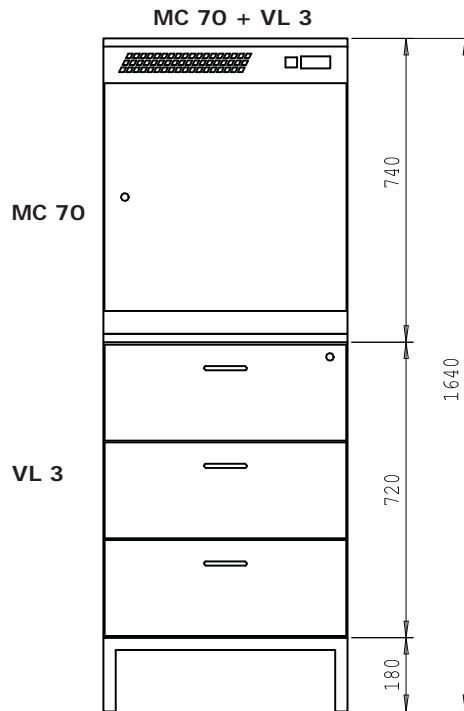
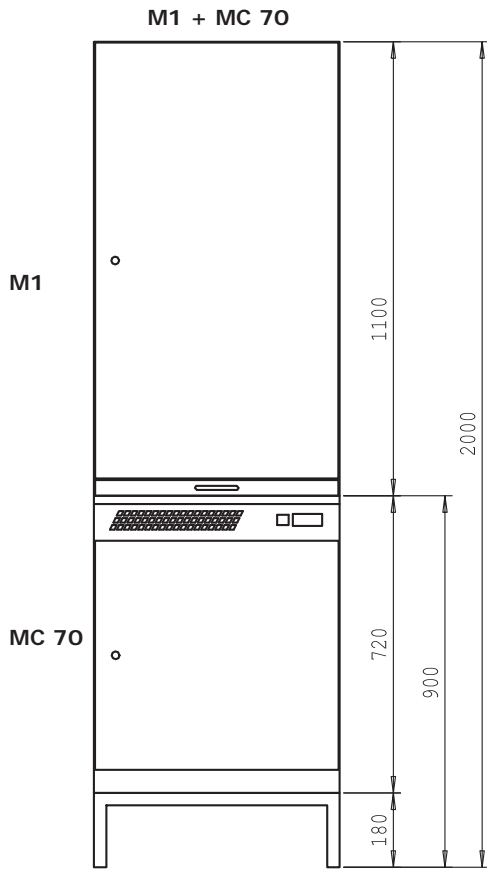
MC70

| | |
|----------------------|---|
| Exterior Finish | Visible exterior surface: white polyester-coated sheet steel; back wall, top and bottom galvanised sheet steel |
| Inside | Vacuum formed polystyrene |
| Insulation (body) | 40 mm foamed, CFC and HCFC free polyurethane |
| Door | Equipped with magnetic gasket and lock, reversible |
| Feet | Steel base frame, 4 pcs of adjustable 20 mm knurled-head screws |
| Shelves | Plastic shelves |
| Refrigeration System | Hermetic, air conditioned, with heat exchanger and capillary input |
| Evaporator | Static evaporator with automatic defrosting |
| Standard Equipment | Electronic controlled digital thermometer/thermostat/defrost timer with alarm light, (adjustable low and high temperature alarm limits) and an option to external alarm (potential free relays contact),TTL -Mod Bus (RS 485) port for the option to connect to PC, readiness for additional probes Alternatives and accessories, see the price list |
| Note! | Refrigeration data are given according to ISO 8561 standard and volumes according to EN441standard |

M1, VL

| | |
|--------------------|---|
| Frame | White melamine coated panel |
| Door and drawer | White laminated door and drawers are lockable, reversible door |
| Feet | Steel base frame, 4 pcs of adjustable 20 mm knurled-head screws |
| Shelves | Plastic shelves dimensioned for medicines |
| Standard Equipment | M1: interior light with door switch, lockable drawer for drugs with different key series as for the door VL: Drawer with 3 or 6 drawers, central locking Alternatives and accessories, see the price list |
| Note! | Volumes are given according to EN441 standard |

Dimension drawings M1 + MC 70, MC 70 + VL



PORKKA

Porkka Finland Oy is an internationally recognised designer and manufacturer of refrigeration equipment. Major clients include commercial kitchens, restaurants, fast food outlets, hotels, industrial canteens, hospitals, laboratories and retailers throughout Europe.

Our main markets outside of Finland include Scandinavia, United Kingdom, Germany, Switzerland, Holland, Belgium, Russia and the Baltic regions. 80% of the companies' turnover is derived from foreign transactions and exports. Ongoing and adaptive development by numerous foreign subsidiaries and representatives ensures our continued success.

Porkka's continued success is based on decades of experience, customer focused design and continuous product development. New innovative products are launched each year.

Porkka Finland Oy is part of the Huurre Group. Porkka and Huurre brands are well known for their quality and reliability.

Porkka Finland Oy
Soisalmentie 3
FI-15860 Hollola, Finland
Tel. +358 20 5555 12
Fax. +358 20 5555 497
e-mail: porkka@huurre.com
www.porkka.fi

Contains fluorinated greenhouse gases covered by the Kyoto Protocol. Refrigerant and charge size can be found on the name plate. Hermetically sealed equipment.

R404A GWP=3800
R134a GWP=1300



All rights reserved
© Porkka Finland Oy